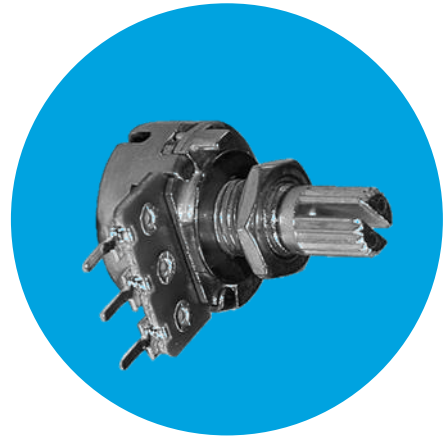
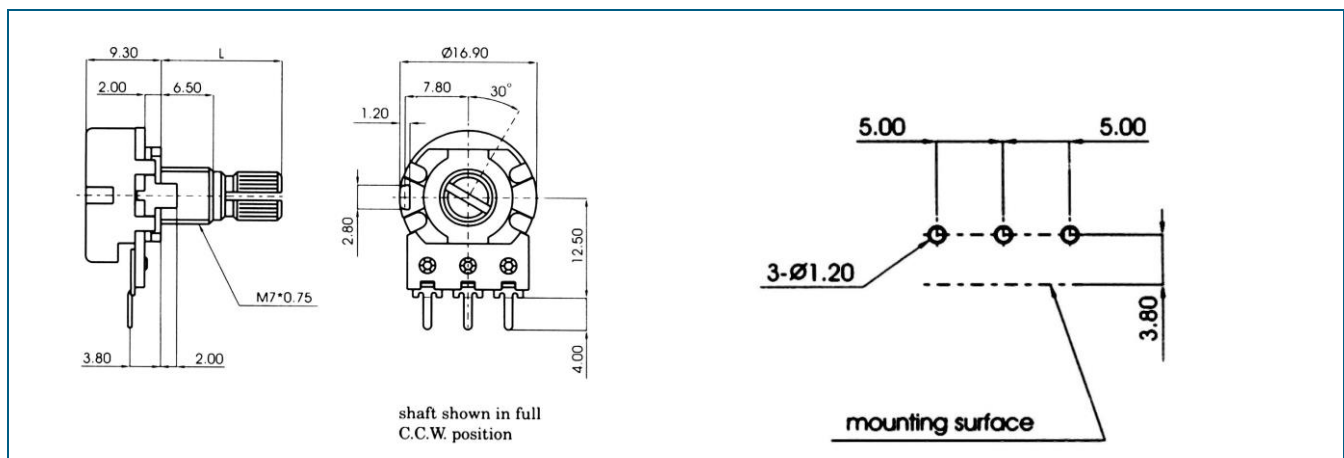


Carbon composition film single turn rotary potentiometers



Series R 16
Type RK 1610 N
Ordering code no.: 01 018
Basic design: nominal with 16.9 mm, terminals for printed circuit board

Also available with horizontal terminals



Technical data

Rated resistance range	5 k Ω - 2 M Ω	Limiting element voltage	lin 200 V (lg 150 V)
Resistance tolerance	$\pm 20\%$ (> 1 Mn $\pm 30\%$)	Mechanical travel	300° $\pm 5^\circ$
Law (resistance taper)	lin *	Operating torque	0.2 - 2.0 Ncm
Rated dissipation	lin 0.125 W (lg 0,06 W)	End stop torque	70 Ncm
Insulation resistance	≥ 100 M Ω -500 V	Durability	15 000 cycles

L = on request

* other values on request