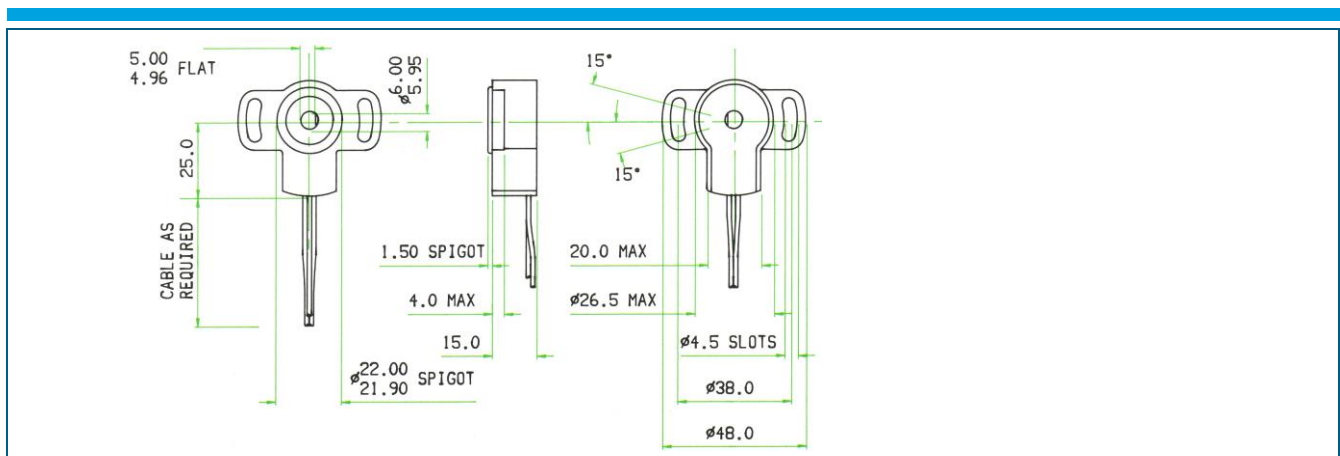
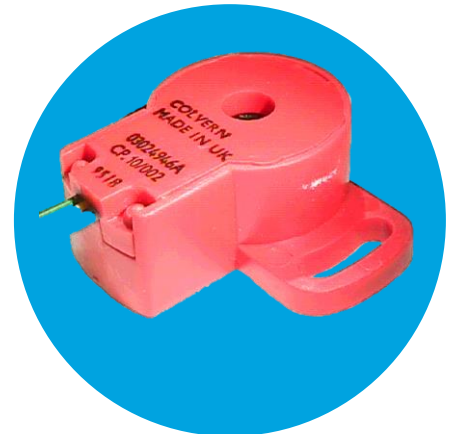


# Conductive Polymer

## Series CP10

- Low Cost
- “D” drive spindle
- Through hole drive
- RoHS compliant
- Radial mounting slots
- Sealing to IP40



### Technical data

<b>Standard resistance range</b>	2,000 Ohms to 25,000 Ohms	<b>Power rating</b>	0.15W @ 70°C
<b>Selection tolerance</b>	+/- 20% (+/- 10% also available)	<b>Output signal temperature coefficient</b>	<25 ppm / °C max.
<b>Angle of effective rotation</b>	255° +/- 8° (others on request)	<b>Output smoothness</b>	0.1% maximum
<b>Total mechanical rotation</b>	300°	<b>Wiper current</b>	30mA Maximum (limited by dissipation)
<b>Independent Linearity</b>	+/- 2.0% max.	<b>Operational torque</b>	3 to 20 mNm
<b>Operating temperature</b>	-40 °C to +125 °C	<b>Rotational life</b>	1 x 10 <sup>6</sup> cycles

Low Cost – high performance conductive plastic potentiometer suitable for automotive, consumer and industrial applications. Direct “D” drive spindle location and radial slots for adjustable fixing using an M4 screw and washer to a maximum of 3Nm. Termination is via flying leads – leads optionally connectors can be configured to specific customer specification.