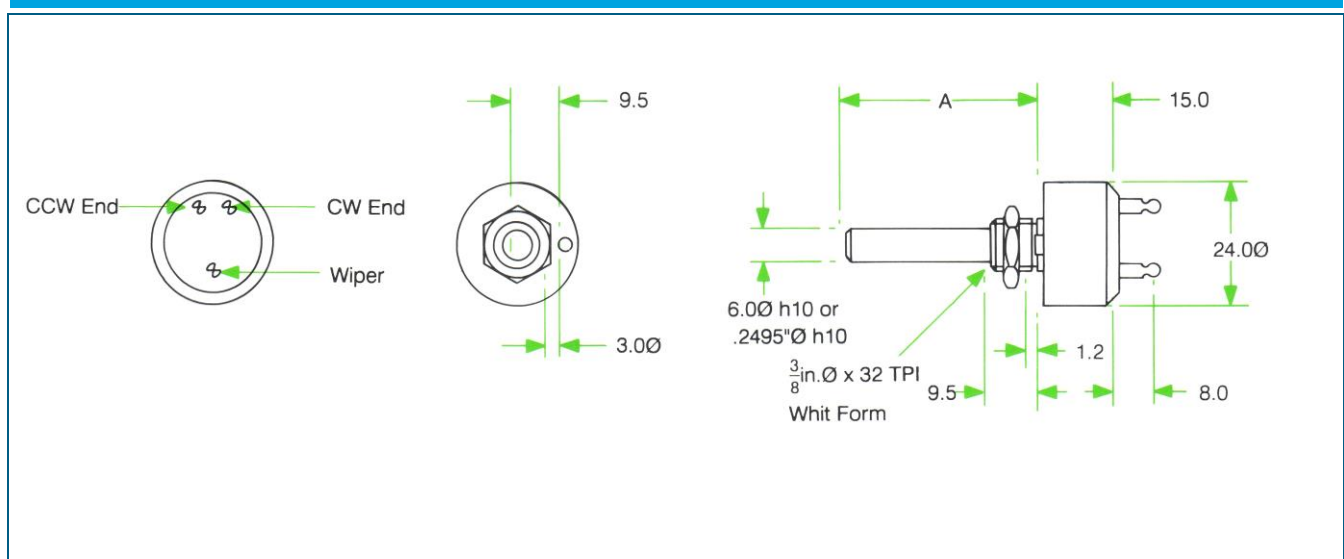


Conductive Polymer

Series CP16000

- Low cost potentiometer
- Bush mounting
- Conductive polymer track
- Continuous rotation available
- RoHS compliant
- Sealed version available



Technical data

Standard resistance range	3,000 Ohms to 25,000 Ohms	Power rating	1.0W @ 70°C derate for restricted angle
Selection tolerance	+/- 20% (+/- 10% also available)	Wiper current	30mA max. (limited by dissipation)
Angle of effective rotation	330° +/- 3°	Temperature characteristics	1% max (+20°C to +70°C) 0 to 200 ppm/° C max.
Total mechanical rotation	340° +/- 3°	Linearity	+/- 1.0% typical (+/- 2% max)
Starting torque	20 mNm max.	End stop torque	800 mNm maximum
Rotational life	300,000 shaft revolutions		

General purpose conductive polymer panel control of robust and reliable construction. Glass filled nylon body moulding; beryllium copper contact; brass spindle and bush; silver plated brass tags.