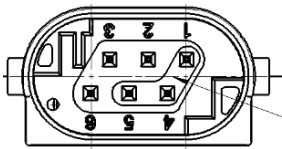


Position Sensor (Inductive) 52163 00000

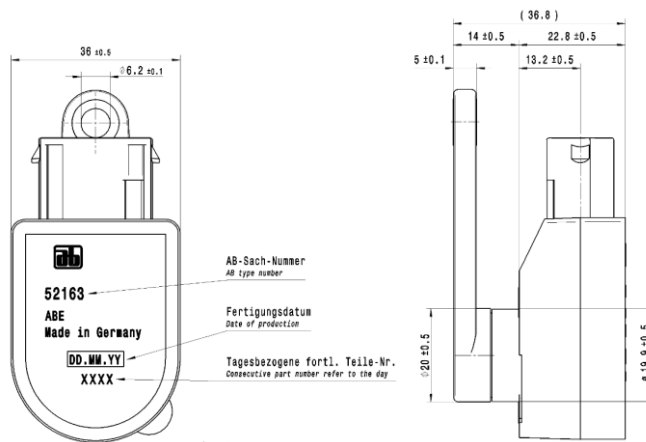


Connector



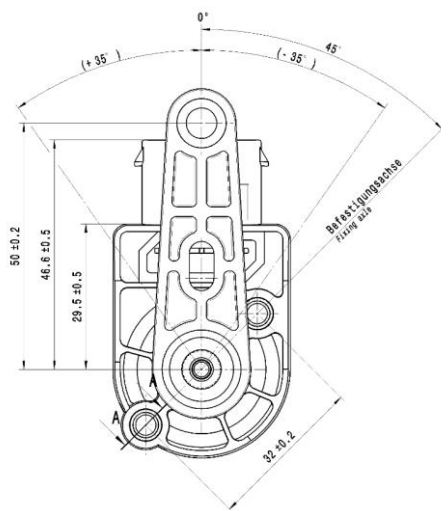
Pin	Belegung
pin	configuration
1	Masse / GND
4	Bus_Config
5	VDD / Signal

Dimensions

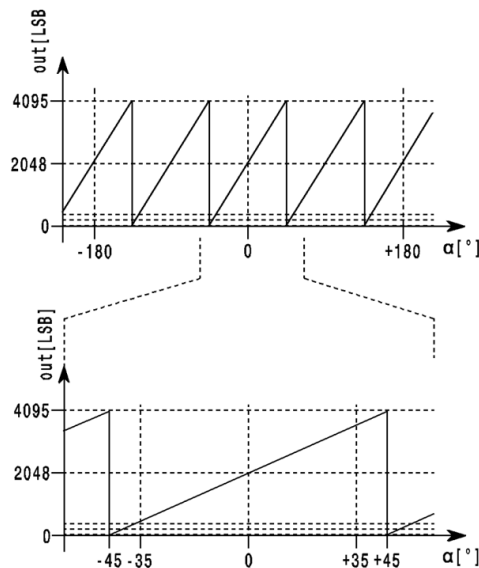


Supply	5 ... 12 V	Output signal range (digital)	0 ... 4095	Sealing grade	IP 6K9K (with fitted female connector)
Temperature range	-40 °C to +110 °C	Angle range	± 45°	Output signal	PSI5 V1.3 (digital)
Connector	AMP - No. 114-18063-21 (coding A), Female connector on request	Independent linearity	± 0.9 %	Current consumption	Max. 65 mA

Angle range (degrees)



Signal characteristic curve



Technical status acc. to specification 27.08.2015