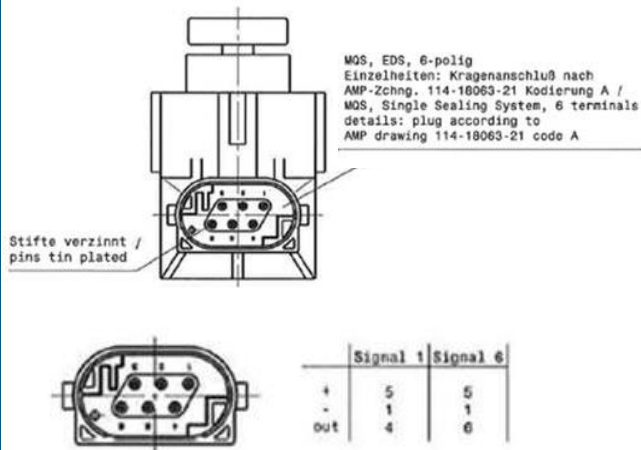


Angle sensor (Hall) 91400

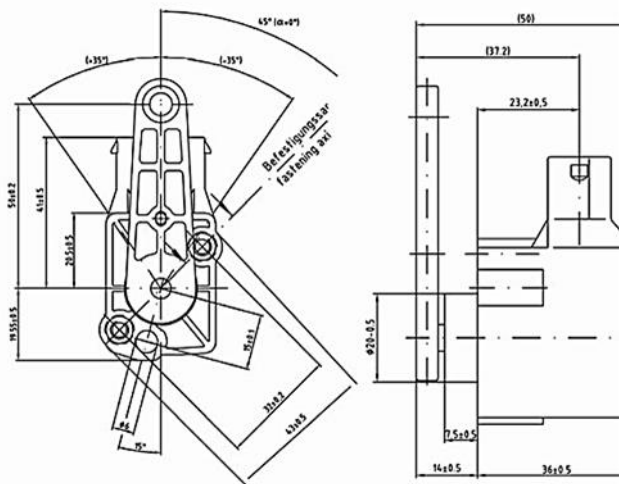


Connector



Female connector on request

Dimensions



Supply Current	5 V 6 mA max. per signal	Temperature range	- 40 °C to + 100 °C
Output signal	Analogic, 2 signal	Sealing grade	Protection class according to DIN 40050-9 housing IP6K6; connector IP6K9K
Specification	ABN 41501	Drawing	91400000 Index 01

Angle range (degrees)

