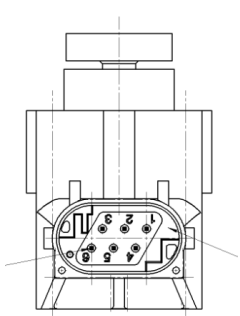
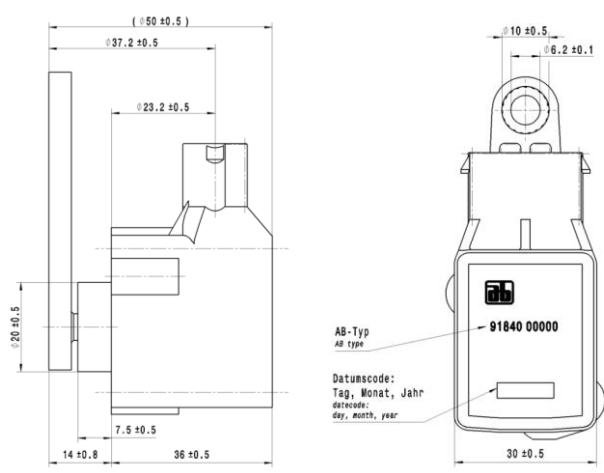


Position Sensor (Hall) 91840 00000

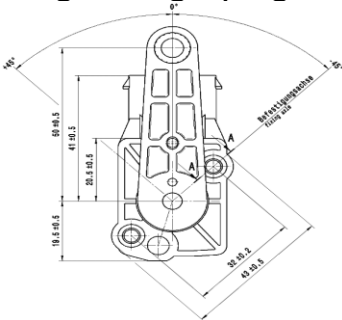


Connector	Dimensions												
 <table border="1" style="margin-top: 10px; width: 100%; border-collapse: collapse;"> <thead> <tr> <th></th> <th>Signal 1</th> <th>Signal 2</th> </tr> </thead> <tbody> <tr> <td>+</td> <td>5</td> <td>5</td> </tr> <tr> <td>-</td> <td>1</td> <td>1</td> </tr> <tr> <td>out</td> <td>4</td> <td>6</td> </tr> </tbody> </table>		Signal 1	Signal 2	+	5	5	-	1	1	out	4	6	 <p style="font-size: small;"> AB-Typ AB type Datumscode: Tag, Monat, Jahr datecode: day, month, year </p>
	Signal 1	Signal 2											
+	5	5											
-	1	1											
out	4	6											

Drawing 100054119_800_00

Supply	5V ± 0.25V	Output – voltage range	± 45°: (1.0 – 4.0) V total: (0.5 – 4.5) V	Sealing grade	IP 6K6 and IP 6K9K (with fitted female connector)
Temperature range	-40 °C to 100 °C (12 0°C / max 1 h)	Angle range	± 45°	Output signal	2 signals (analog)
Connector	AMP Nr. 114-18063-021 (coding A), Femaleconnect or on request	Independent linearity	± 1 %	Current consumption	Max. 5.5 mA

Angle range (degrees)



Signal characteristic curve

