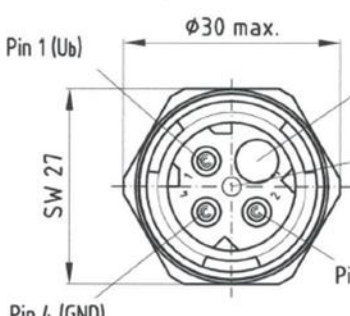
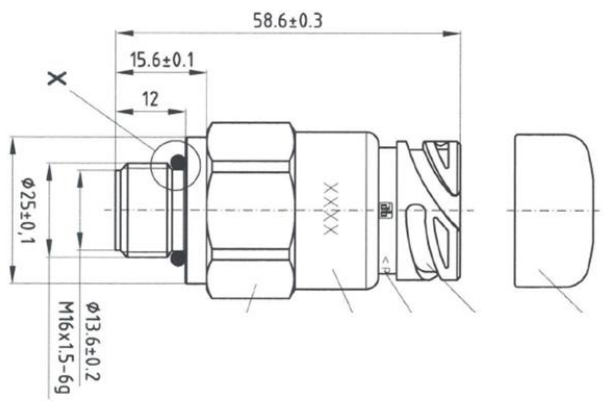


# Pressure sensors

## 96775



Connector		Dimensions	
			
<b>Pressure range</b>	0 ... 6 bar, relative	<b>Temperature range</b>	-40 °C to +125 °C
<b>Thread</b>	M 16 x 1,5	<b>Connector</b>	DIN Bajonett, Cod. 3 (DIN 72585)
<b>Supply voltage</b>	5 (±0,25) VDC; Power-up time < 25 ms	<b>Response time t90</b>	80 ms
<b>Housing</b>	Stainless steel	<b>Output impedance</b>	2 kOhm ±20% pull up or pull down
<b>Order no.:</b>	96775 00900		