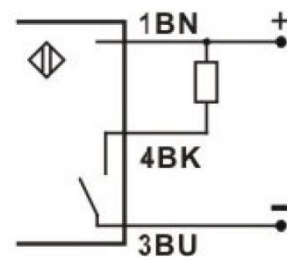
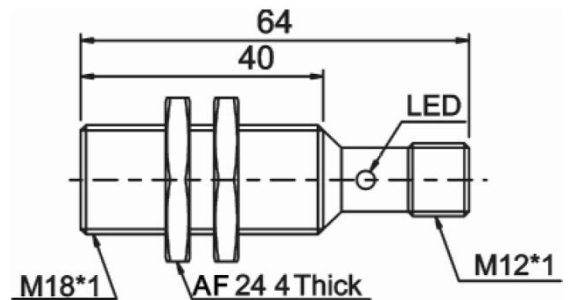


Inductive proximity sensor

- M18 nickel-copper alloy
- M12 connector
- NPN / normally open

Item code	INO-005-CNF / 3	Circuit protection	surge, overload, short circuit, and reverse polarity protection
Sensing distance	5 mm	Indicator	yellow LED
Mounting	flushed	Ambient temperature	-25 ... 70 °C
Output	NPN NO	Ambient moisture	35 ... 95 % RH
Supply voltage	10 ... 30 VDC	Switch frequency	1000 Hz
Standard target	Fe 18*18*1t	Voltage testant	1000 V / AC 50 / 60 Hz 60 s
Switch shifts	≤ ± 10 %	Insulation testant	≤ 50 MΩ (500 VDC)
Hysteresis	1 ... 20 %	Vibration withstand	repeated amplitude 1.5 mm 10 ... 50 Hz (2 hours each for X, Y, Z direction)
Repeated error	≤ 3 %	Protection	IP 67
Load current	≤ 200 mA	Housing material	nickel-copper alloy
Residual	≤ 2.5 VDC	Connection	M12 connector
Current consumption	≤ 15 mA		



BN:+ BK: out BU: -