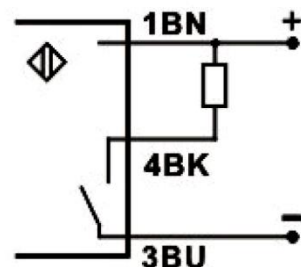
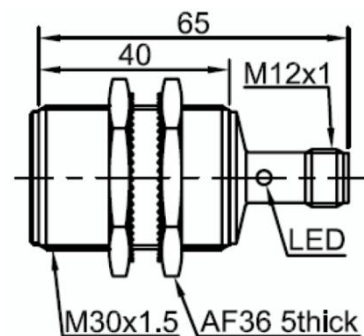


# Inductive proximity sensor

- M30 nickel-copper alloy
- M12 connector
- NPN / normally open

|                     |                 |                      |   |
|---------------------|-----------------|----------------------|---|
| Item code           | INO-010-DNF / 3 | Circuit protection   | surge, overload, short circuit and reverse polarity protection              |
| Sensing distance    | 10 mm           | Indicator            | yellow LED  |
| Mounting            | flushed         | Ambient temperature  | -25 ... 70 °C   |
| Output              | NPN NO          | Ambient moisture     | 35 ... 95 % RH  |
| Supply voltage      | 10 ... 30 VDC   | Switch frequency     | 500 Hz  |
| Standard target     | Fe 30*30*1t     | Voltage resistant    | 1000 V / AC 50 / 60 Hz<br>60 s  |
| Switch shifts       | ≤ ± 10 %        | Insulation resistant | ≥ 50 MΩ (500 VDC)   |
| Hysteresis          | 1 ... 20%       | Vibration withstand  | repeated amplitude 1.5 mm 10 ... 50 Hz (2 hours each for X, Y, Z direction) |
| Repeated error      | ≤ 3 %           | Protection           | IP 67   |
| Load current        | ≤ 200 mA        | Housing material     | nickel-copper alloy   |
| Residual            | ≤ 2.5 VDC       | Connection           | M12 connector   |
| Current consumption | ≤ 15 mA         |                      |   |



BN:+ BK: out BU: -