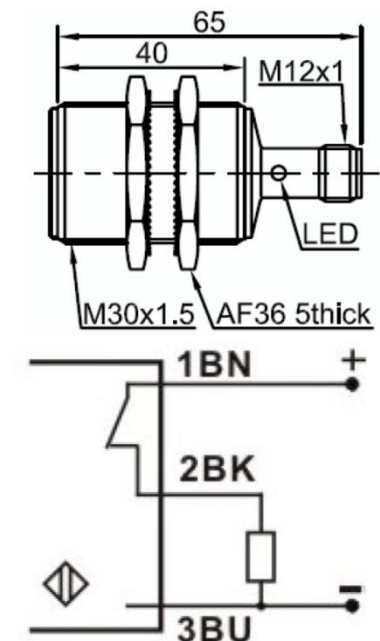


# Inductive proximity sensor

- M30 nickel-copper alloy
- M12 connector
- PNP / normally closed

Item code	IPC-010-DNF / 3	Circuit protection	surge, overload, short circuit and reverse polarity protection
Sensing distance	10 mm	Indicator	yellow LED
Mounting	flushed	Ambient temperature	-25 ... 70 °C
Output	PNP NC	Ambient moisture	35 ... 95 % RH
Supply voltage	10 ... 30 VDC	Switch frequency	500 Hz
Standard target	Fe 30*30*1t	Voltage resistant	1000 V / AC 50 / 60 Hz 60 s
Switch shifts	≤ ± 10 %	Insulation resistant	≥ 50 MΩ (500 VDC)
Hysteresis	1 ... 20 %	Vibration withstand	repeated amplitude 1.5 mm 10 ... 50 Hz (2 hours each for X, Y, Z direction)
Repeated error	≤ 3 %	Protection	IP 67
Load current	≤ 200 mA	Housing material	nickel-copper alloy
Residual	≤ 2.5 VDC	Connection	M12 connector
Current consumption	≤ 15 mA		



BN:+ BK: out BU: -