

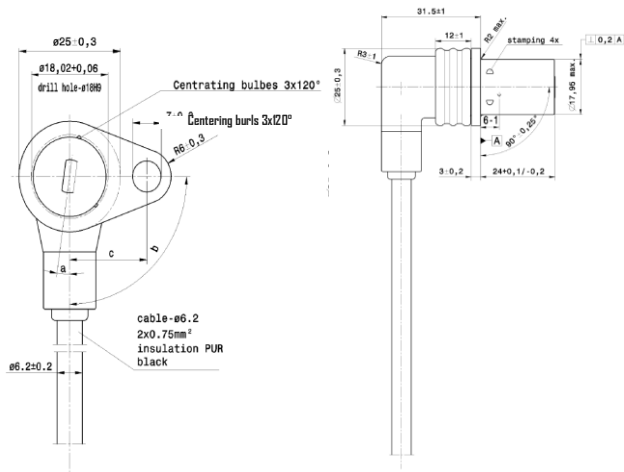
Speed Sensor (Inductive)

94084 00040 / 94084 00050

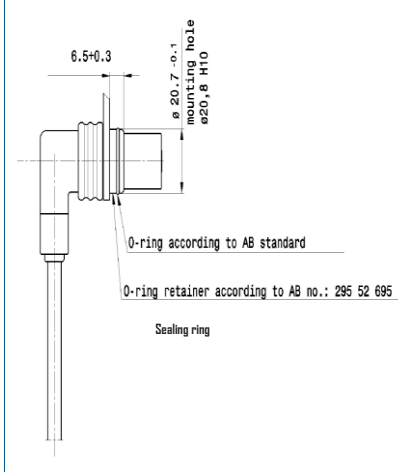
(with O-ring)



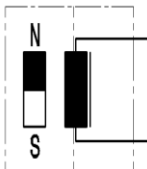
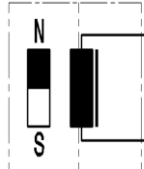
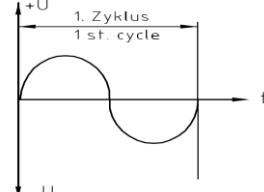
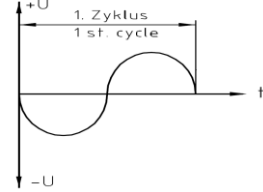
Dimensions



With O-ring



Resistance	540 Ω ± 10 %	Inductivity	0.22 H ± 15 %	Signal sequence	Z: 1(+) 1. Half wave positive W: 1(+) 1. Half wave negative
Temperature range	-40 °C to + 125 °C	Mounting hole	Ø 18 H9 without O-ring Ø 20.8 mm H10 with O-ring	Shaft length	24 + 0.1 / - 0.2 mm
Connector	No connector				

Electrical Connection		Output signal	
Version Z	Version W	Version Z	Version W
 <p>1A(white) 2B(brown)</p>	 <p>2B(white) 1A(brown)</p>		

Technical status acc. to specification 05.02.2010