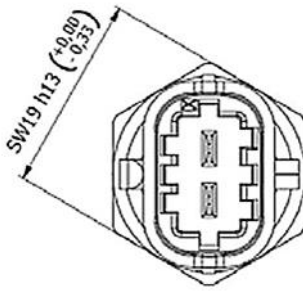
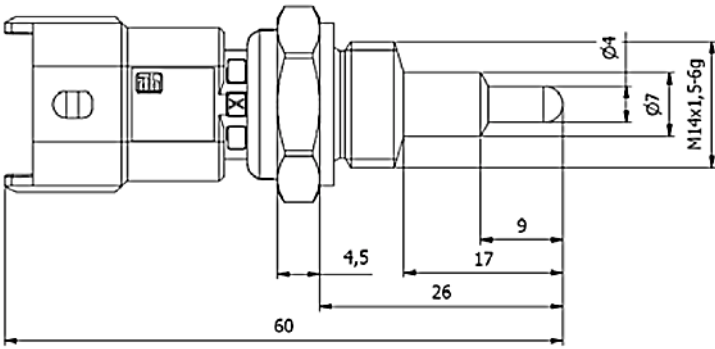


# Temperature sensor

## 94085

NTC Sensor, thermally decoupled



| Connector  |  | Dimensions  |  |
|--|--|---|--|
|  |  |  |  |
| <b>Media</b>   | Liquid media e.g. water, oil           | <b>Connector</b>  | Bosch Compact (D 928 002 69A), Female connector on request |
| <b>Nominal resistance</b>  | 2,055 Ω (25 °C),<br>186,5 Ω (100 °C) * | <b>Sealing ring</b>   | Al-Dichtring unverlierbar<br>Al-seal, captive              |
| <b>Temperature range</b>   | - 40 °C to + 150 °C                    | <b>Protection range</b>   | IP 6K9K  |
| <b>Time of response</b>  | T63 ≤ 3s (water)                       | <b>Order number</b>   | 9408500900   |
| <b>Thread</b>  | M14 x 1.5                              |   |  |