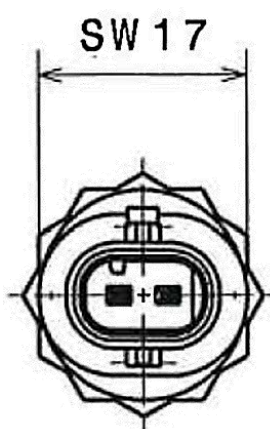
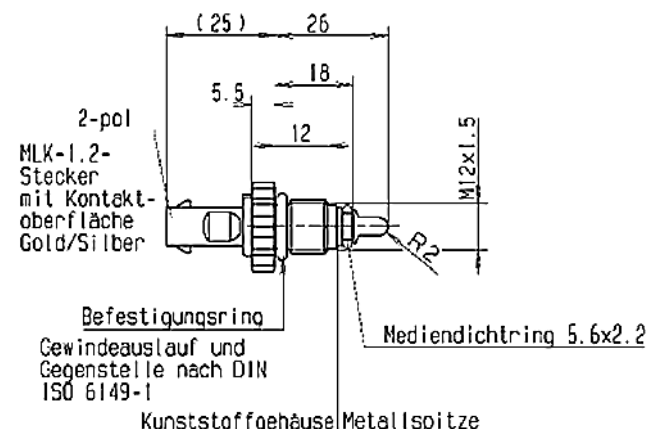


Temperature sensor

94086

NTC Sensor



Connector		Dimensions	
			
Media	Liquid media e.g. water, cooling water	Thread	M12 x 1.5
Temperature range	- 40 °C to + 150 °C	Connector	MLK 1.2 Kodierung A
Nominal resistance	2050 Ohm (25 °C)	Sealing concept	O-ring media dependent
Response time	T 90 < 10 s	Protection range	IP6k9k
Output signal	0,5 ... 4,5 V ratiometric	Order no.:	94086 00960