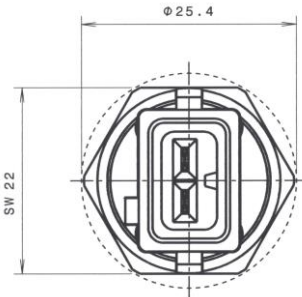
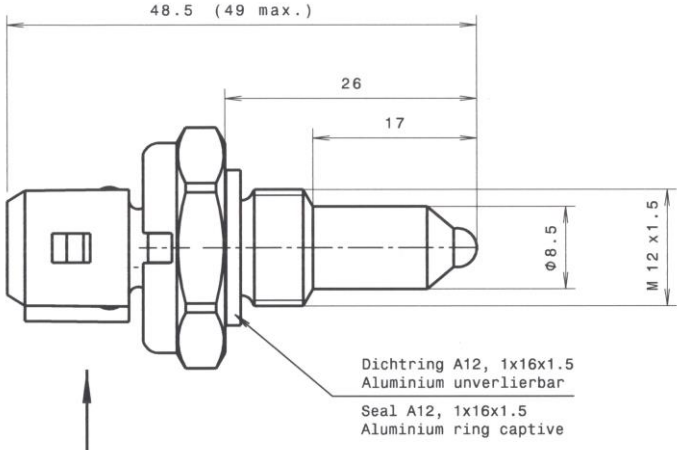


Temperature sensor

94093

NTC Sensor



Connector		Dimensions	
			
Nominal resistance	2251 Ohm $\pm 2\%$ (25 °C), 153 Ohm $\pm 1.5\%$ (100 °C)	Temperature range	-40 °C to +130 °C
Thread	M 12 x 1,5	Connector	AMP Junior Power Timer, 2 pole
Seal	Aluminium 1 x 16 x 1,5	Response time t90	≤ 15 sec (in water 25 °C - 60 °C)
Order no.:	94093 00900		