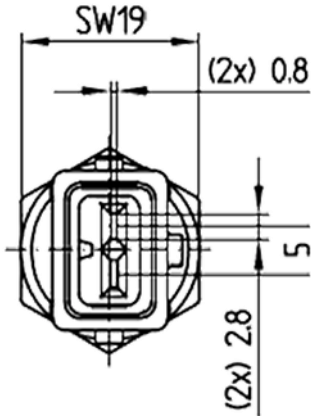
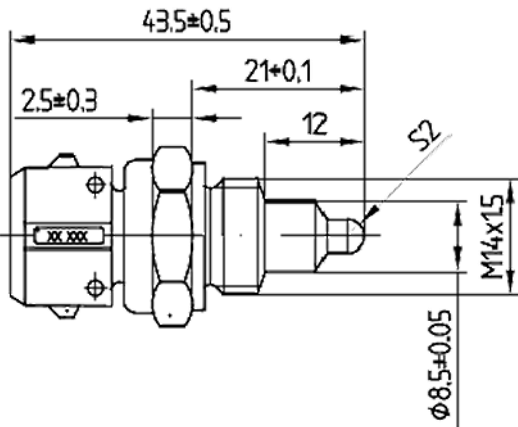


Temperature sensor

94099

NTC sensor



Connector 		Dimensions 	
Media	Liquid media e.g. water, oil	Connector	AMP Junior Power Timer, 2-pole, Female connector on request
Nominal resistance	2,251 Ω (25 °C) 153 Ω (100 °C) *	Sealing ring	Al 99 %, alternative Cu
Temperature range	- 40 °C to + 150 °C	Protection range	IP 69
Time of response	T90 ≤ 15 s (water)	Order number	9409900030 (with thread M12 x 1.5)
Thread	M12 x 1.5 or M14 x 1.5	Order number	9409901020 (with thread M14 x 1.5)