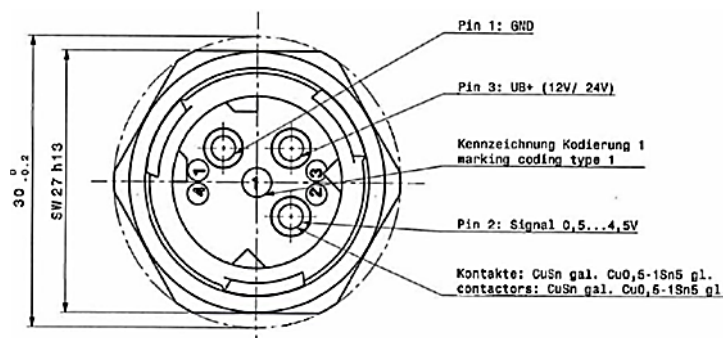
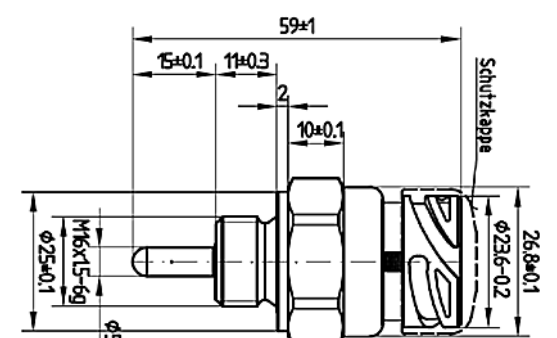


# Temperature sensor

## 94125

NTC Sensor / PT-200 Sensor



Connector		Dimensions	
 <p>Pin 1: GND</p> <p>Pin 3: UB+ (12V/ 24V)</p> <p>Kennzeichnung Kodierung 1 marking coding type 1</p> <p>Pin 2: Signal 0,5...4,5V</p> <p>Kontakte: CuSn gal. Cu0,5-1Sn5 gl. contactors: CuSn gal. Cu0,5-1Sn5 gl.</p>			
<b>Media</b>	Liquid media e.g. water, oil, fuel	<b>Thread</b>	M16 x 1.5
<b>Output voltage</b>	0.5 V to 4.5 V *	<b>Connector</b>	DIN Bajonett (DIN 72585), Female connector on request
<b>Supply voltage</b>	9 V to 32 V	<b>Protection range</b>	IP 6K9K
<b>Temperature range</b>	- 40 °C to + 140 °C	<b>Order number</b>	9412500900
<b>Time of response</b>	T90 < 15 in water (20 to 80 °C)		

\* Programmable