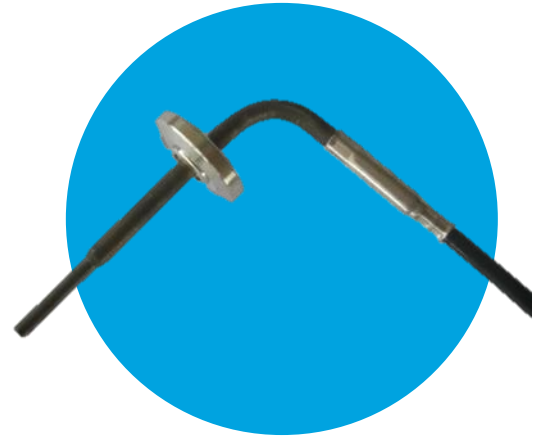
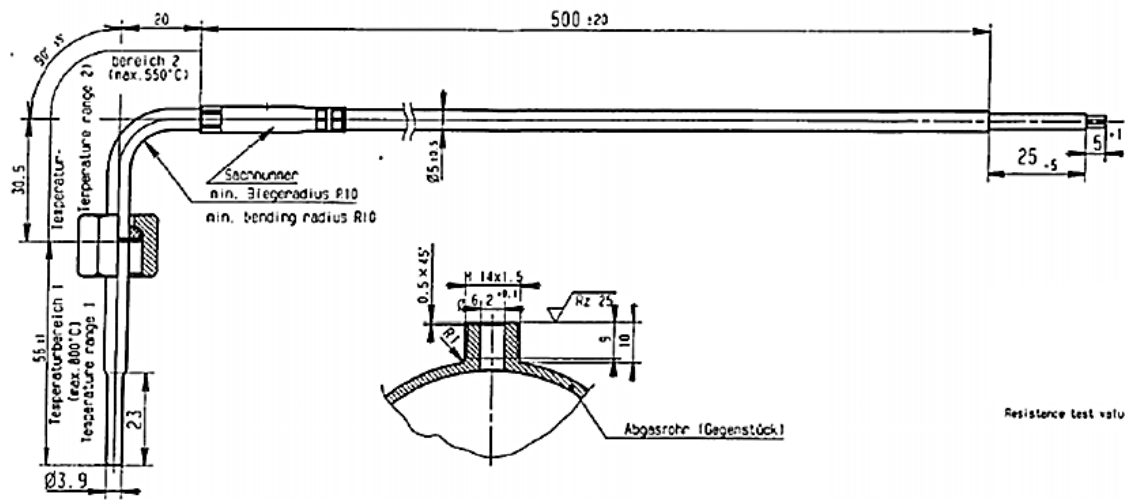


High temperature sensor

94600



Dimensions



| | | | |
|------------------------------------|--|--------------------------------|---|
| Media | Temperature for exhaust, motor, ambient air | Temperature range | - 40 °C to + 800 °C |
| Sensor type | RTD (Pt200) | Thermal time constant | T50 ≤ 20 s (RT on 120 °C 10 m/s air) |
| Resistance of insulation | > 10 MΩ at 500 V DC at 500 °C | Resistance of corrosion | In acc. M3018 |
| Electrical intersect. point | No polarity, I _{max} = 5mA (connector on request) | Protection range | Acc. to DIN 40050 T9 IP 6k9k; IP 67 – with mating connector |

Resistance test values (acc. to DIN EN 60751)

| | | | | | | | | | |
|---------------|--------|--------|--------|-------|-------|-------|-------|-------|--------|
| T (°C) | - 50 | - 40 | - 20 | 0 | + 25 | + 200 | + 400 | + 600 | + 800 |
| R (Ω) | 160.63 | 168.55 | 184.32 | 200.0 | 219.5 | 351.7 | 494.1 | 627.2 | 751.0 |
| R (Ω) | ± 3.6 | ± 3.6 | ± 3.5 | ± 3.5 | ± 3.5 | ± 3.3 | ± 4.1 | ± 5.8 | ± 7.1 |
| T (K) | ± 4.5 | ± 4.5 | ± 4.5 | ± 4.5 | ± 4.5 | ± 4.5 | ± 6.0 | ± 9.0 | ± 12.0 |

From RT to 650 °C 20 + 5 m/s gas flow

| | T _{min} | T _{max} |
|------|------------------|------------------|
| T 50 | 10 s | 16 s |
| T 63 | 13 s | 21 s |
| T 90 | 26 s | 42 s |