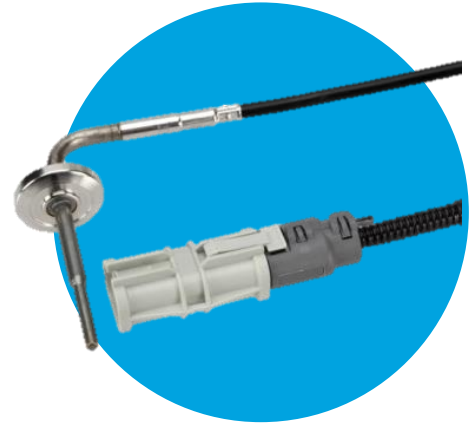
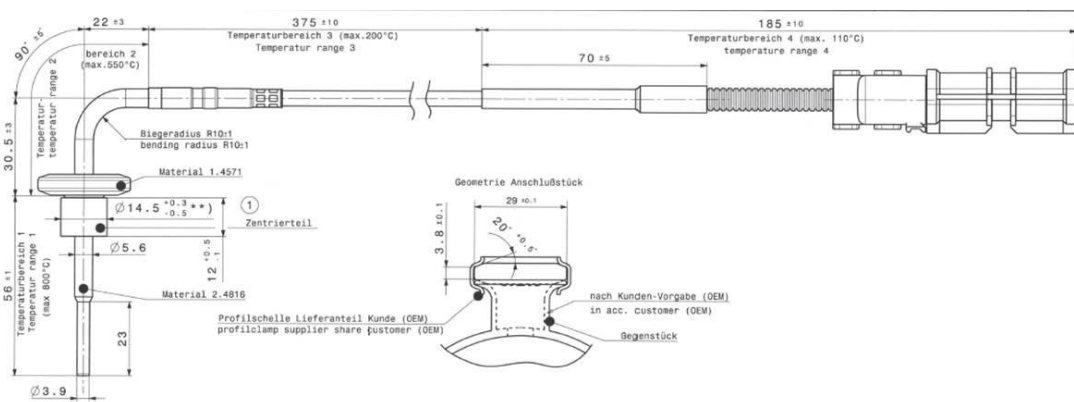


# High temperature sensor

## 94660



### Dimensions



|                                    |   |                                |   |
|------------------------------------|---|--------------------------------|---|
| <b>Media</b>                       | Temperature for exhaust, motor, ambient air | <b>Temperature range</b>       | - 50 °C to + 800 °C   |
| <b>Sensor type</b>                 | Platinum resistance sensor Pt200            | <b>Thermal time constant</b>   | T50 ≤ 20 s (RT on 120 °C 10 m/s air)                        |
| <b>Resistance of insulation</b>    | > 2 MΩ at 500 V DC at 500 °C                | <b>Resistance of corrosion</b> | In acc. M3018   |
| <b>Electrical intersect. point</b> | No polarity, I <sub>max</sub> = 5mA         | <b>Protection range</b>        | Acc. to DIN 40050 T9 IP 6k9k; IP 67 – with mating connector |
| <b>Connector</b>                   | LEAR MKR/S plus Kod.A                       | <b>Fastening element</b>       | Discus Ø29mm, profile clamp                                 |
| <b>Sensor tip</b>                  | Flexed (Order no.: 94660 00950)             | <b>Nominal resistance</b>      | 200 Ohm (0 °C)  |

### Resistance test values (acc. to DIN EN 60751)

|               |        |        |        |       |       |       |       |       |        |
|---------------|--------|--------|--------|-------|-------|-------|-------|-------|--------|
| <b>T (°C)</b> | - 50   | - 40   | - 20   | 0     | + 25  | + 200 | + 400 | + 600 | + 800  |
| <b>R (Ω)</b>  | 160.63 | 168.55 | 184.32 | 200.0 | 219.5 | 351.7 | 494.1 | 627.2 | 751.0  |
| <b>R (Ω)</b>  | ± 3.6  | ± 3.6  | ± 3.5  | ± 3.5 | ± 3.5 | ± 3.3 | ± 4.1 | ± 5.8 | ± 7.1  |
| <b>T (K)</b>  | ± 4.5  | ± 4.5  | ± 4.5  | ± 4.5 | ± 4.5 | ± 4.5 | ± 6.0 | ± 9.0 | ± 12.0 |

### From RT to 650 °C 20 + 5 m/s gas flow

|             |                        |                        |
|-------------|------------------------|------------------------|
|             | <b>T<sub>min</sub></b> | <b>T<sub>max</sub></b> |
| <b>T 50</b> | 10 s                   | 16 s                   |
| <b>T 63</b> | 13 s                   | 21 s                   |
| <b>T 90</b> | 26 s                   | 42 s                   |